



INSTALLATION INSTRUCTIONS

Screw the metal retaining bolts on the metal end pieces at the ends of the luminaire, remove the metal end pieces, and remove the protective tube from the luminaire housing. The luminaire housing is secured to the wall at the right place with 4 screws. The plastic end piece of the gland is removed and the mounting plate removed. The connection cable is connected to the terminal block via the cable gland according to the marking. The fluorescent tube is then inserted into the socket, the mounting plate is returned to the protective tube, making sure that the end of the mounting plate is cut into the end of the end of the tube. The terminal side of the mounting plate is facing the serrated part of the end element. Then, push the gland end piece back into the protective tube, the end of the mounting plate is also cut into the end piece. The sealing of the lamp is suitable if the sealing ring on the end member fits into a circular passageway of the end element. The lamp is placed on the luminaire housing. The toothed part of the lamp end elements is placed on the mounting tips on the luminaire housing. Then the metal end pieces are screwed to the luminaire housing using the safety screws.

The installation of the luminaire should only be carried out by a specialist!

Connecting LED luminaires:

LED luminaires should be connected as shown on the right.

Wiring can only be done by a specialist!

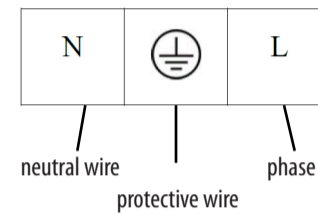
The LED module can only be used with its own power supply!

We have a 24-month warranty on LED luminaires from the date of sale.

Network connection method: terminal

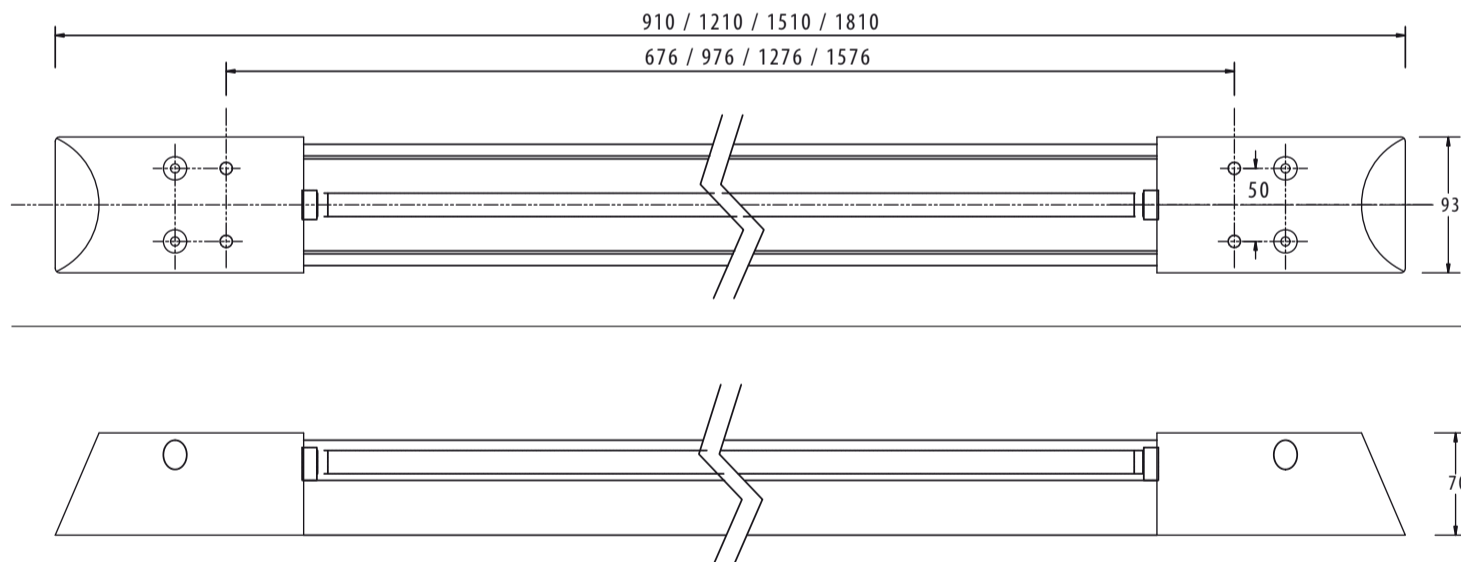
Specifications of the luminaire: according to the product label

Touch protection mode: Class I, GROUND!

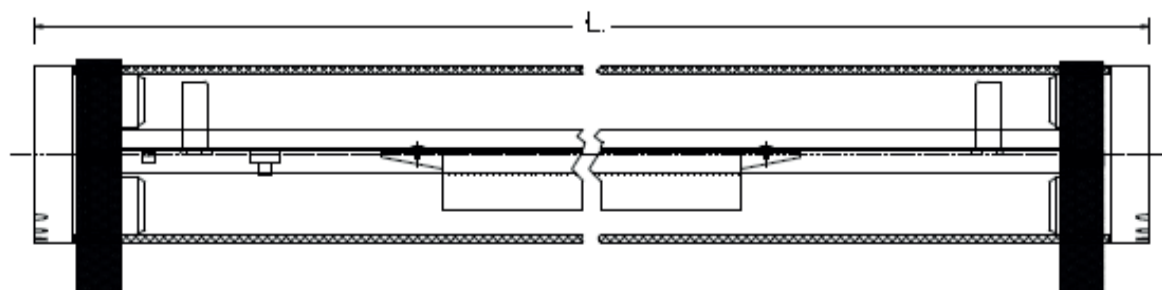


TYP / TYPE / TYP:	POPIS / DESCRIPTION / BESCHREIBUNG:
46-909/110/NY	1 x 10 W / G5 EVG 910 mm
46-909/114/NY	1 x 14 W / G5 EVG 910 mm
46-909/118/NY	1 x 18 W / G5 EVG 910 mm
46-909/120/NY	1 x 20 W / G5 EVG 1510 mm
46-909/128/NY	1 x 28 W / G5 EVG 1510 mm
46-909/136/NY	1 x 36 W / G5 EVG 1510 mm
46-909/124/NY	1 x 24 W / G5 EVG 1810 mm
46-909/134/NY	1 x 34 W / G5 EVG 1810 mm
46-909/144/NY	1 x 44 W / G5 EVG 1810 mm

MONTÁŽNÍ ROZMĚRY / MOUNTING DIMENSIONS / EINBAUMASSE



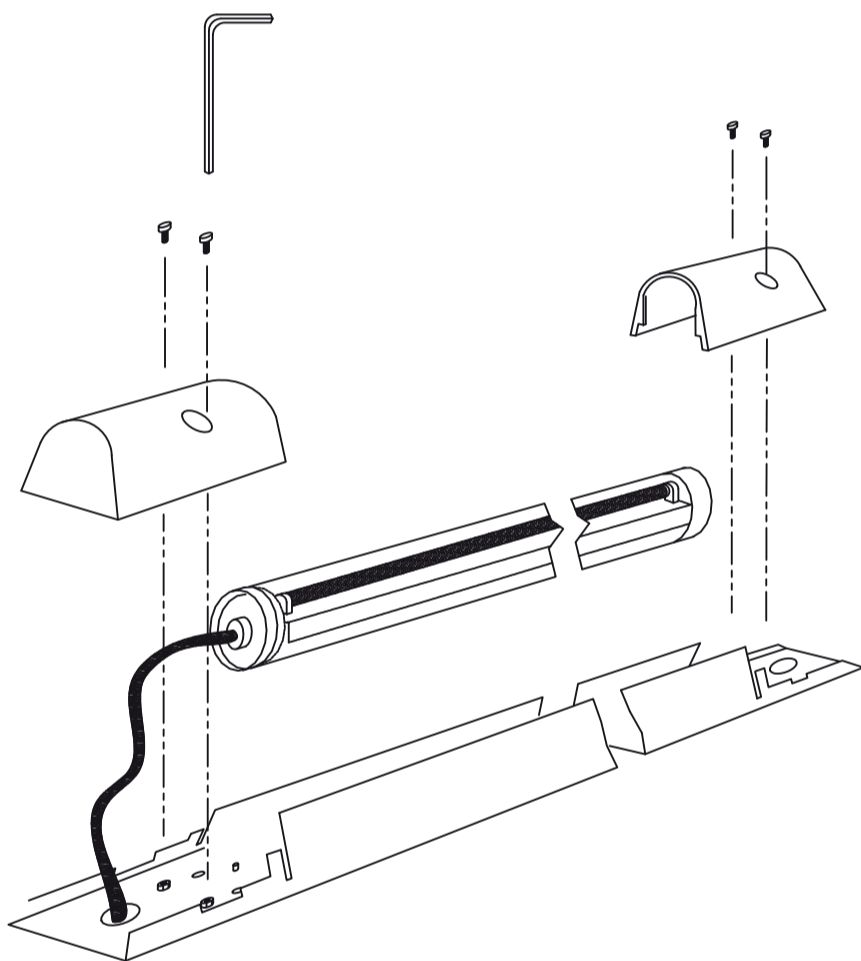
TYP / TYPE / TYP:	POPIS / DESCRIPTION / BESCHREIBUNG:
46-919/110/NY	1 x 10 W / G5 EVG 680 mm
46-919/114/NY	1 x 14 W / G5 EVG 680 mm
46-919/118/NY	1 x 18 W / G5 EVG 680 mm
46-919/120/NY	1 x 20 W / G5 EVG 1280 mm
46-919/128/NY	1 x 28 W / G5 EVG 1280 mm
46-919/136/NY	1 x 36 W / G5 EVG 1280mm
46-919/124/NY	1 x 24 W / G5 EVG 1580 mm
46-919/134/NY	1 x 34 W / G5 EVG 1580 mm
46-919/144/NY	1 x 44 W / G5 EVG 1580 mm



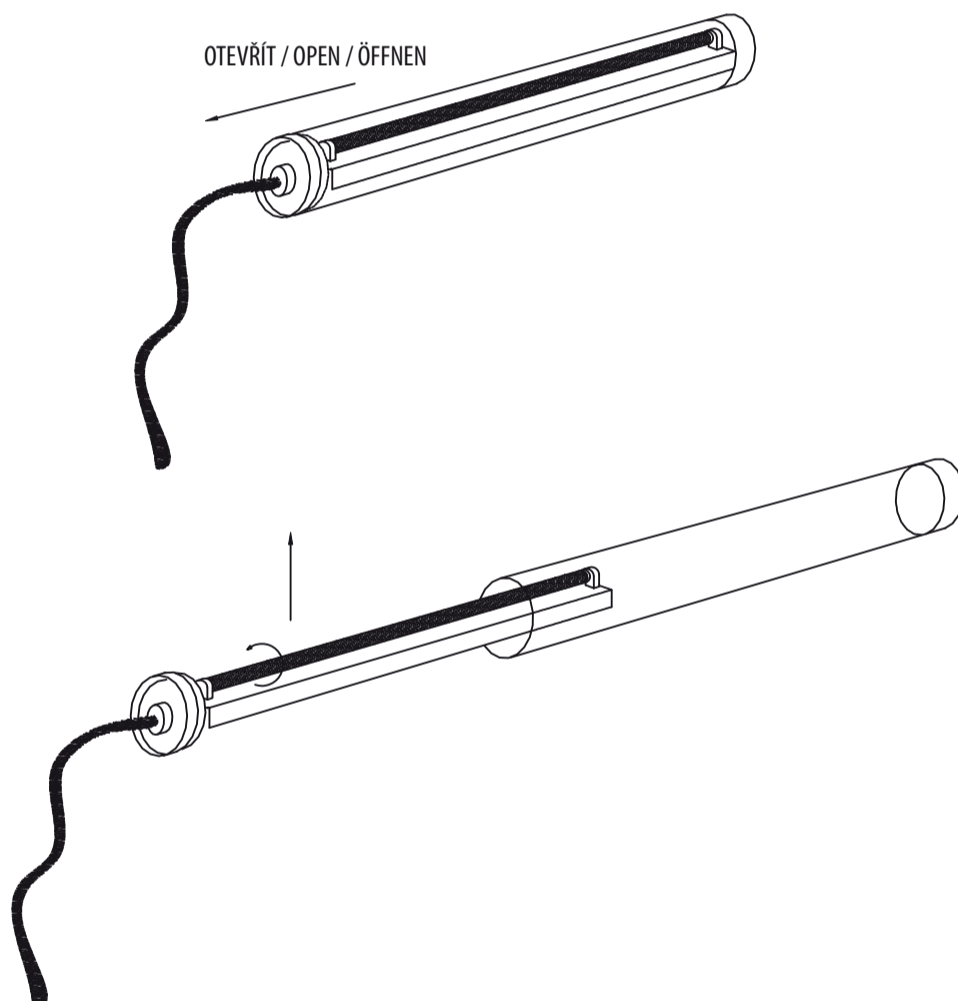
46-90

46-91

MONTÁŽ / ASSEMBLING / MONTAGE



VÝMĚNA ZÁŘIVEK / TUBE REPLACING / ERSATZLAMPE



WARNING:

- Check whether the mains specification satisfies the data mentioned on a luminaire plate before connecting it to the mains.
- Contact the customer service authorised centre for repairs, and insist on using original spare parts only. Not satisfying these instructions could result in loss of luminaire safety or in loss of warranty.
- This luminaire should only be used for a purpose for which it was manufactured. Any other usage shall be assumed to be unsuitable and therefore dangerous. The manufacturer bears no responsibility for any injury caused to persons or animals or for property damages caused by improper, faulty or inadequate usage.
- A luminaire must be disconnected from the mains before any interference with a luminaire, service or maintenance. An expert person, in terms of valid regulations concerning the competence to activities, should only perform these actions.
- The luminaire may only be connected to the mains, whose installation and protection satisfies standards in force.

WARRANTY:

All products of the company Beghelli - Elplast, a.s. are made of the highest quality materials, thoroughly tested and guaranteed by the manufacturer to be free of defects in terms of existing legislative regulations. This warranty becomes invalid if mounting is not executed according to the instruction manual, the luminaire is damaged or modified or repaired by an unauthorised service centre of the company Beghelli - Elplast, a.s.

